

MAGICART

How to be A Global Leader in Services?

Many of us are facing after-sales trouble no matter private or governmental control company, time is invaluable and most worrying for us. Once the machine shut down, the production shut down either, and we start to lose money quickly and come to an operation crisis So what we do here?

- ◆ Fast Action in Services
- ◆ Unconditional Parts Supply
- ◆ Strong Professionalism
- ◆ Spotless Satisfaction

This is how MAGICART started to make business. What we do is giving the fastest services after supplying high-quality level products.

XINXIANG MAGICART CRANES CO., LTD

新乡市魔工起重机有限公司

Email: info@magicartcranes.com

Tel: +86 373 5853707 , +86 373 5853727

Phone: +86 151 37380574

www.magicartcranes.com

地址: 中国-河南省新乡市公元国际#1523

About Us

MAGICART is a leading manufacturer and service provider of cranes and material handling equipment, dedicated to the R & D, design, manufacturing, installation and service of cranes and material handling technology.

MAGICART owns comprehensive products, reliable quality, excellent performance, efficient service. The products are distributed in more than 30 countries and regions around the world. It is widely used in more than 20 professional fields, such as equipment manufacturing, logistics, energy, electric power, shipbuilding, metallurgy, ports, infrastructure, metal processing, hydropower stations, automobile manufacturing, and aerospace.

MAGICART's main products are overhead crane, gantry crane, rubber tyred gantry crane, portal jib crane, dock arm, jib crane, electric hoist, customized crane system and lifting accessories. MAGICART has saved customers huge cost in machine purchase and life cycle operating after long-term technological innovation.

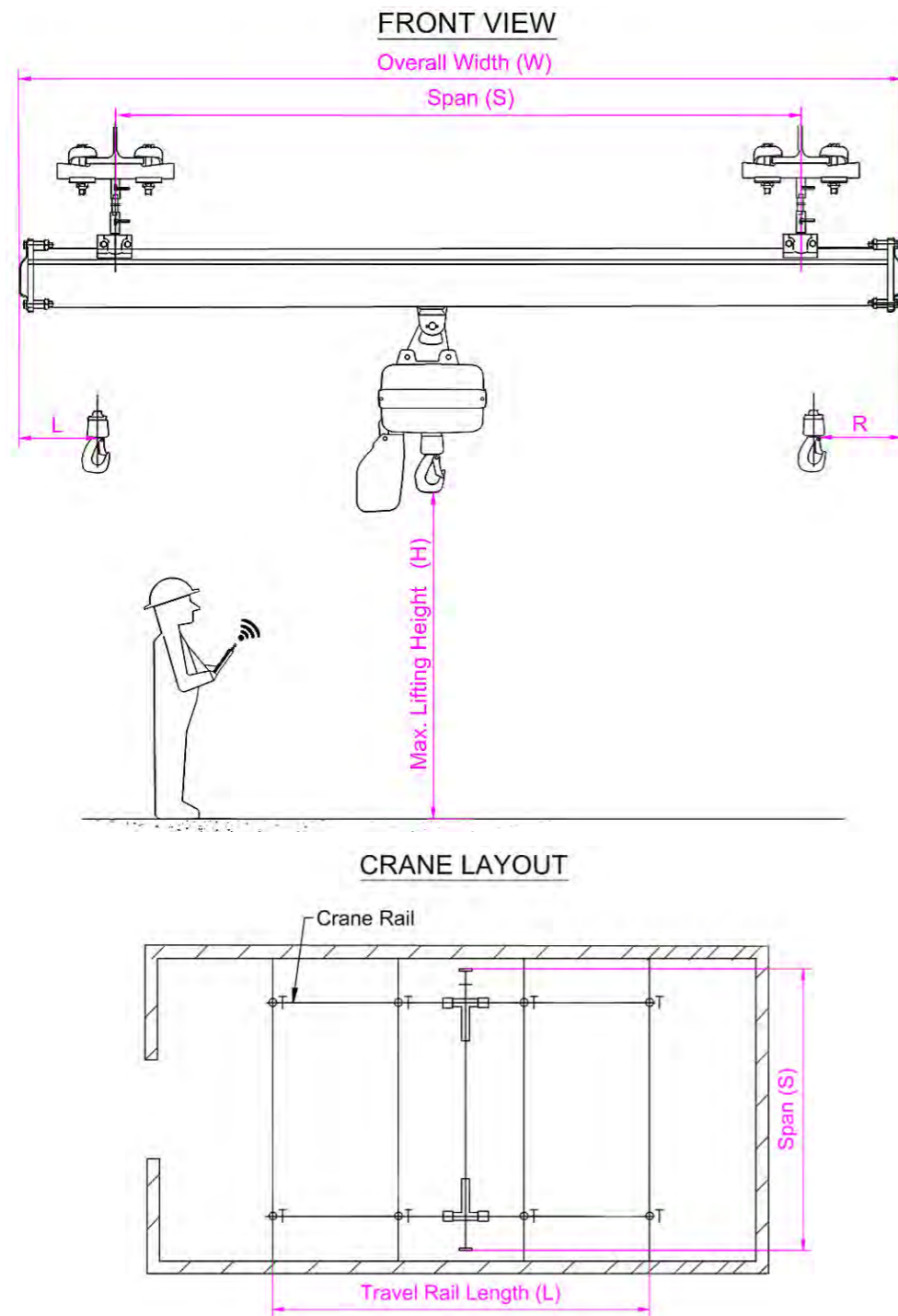
Through long-term unremitting efforts , MAGICART will provide clients with the best cost-effective products to fulfill its mission: **promote client's business!**

- **KBK Single Girder Suspension Crane (50~2,000 kg)**
- **KBK Double Girder Suspension Crane (80~3,200 kg)**
- **KBK Overhung and Extending Crane (50~2,000 kg)**
- **KBK Rigid Free Standing Crane (80~3,200 kg)**
- **KBK Monorail Suspension Crane (80~3,200 kg)**



KBK Single Girder Suspension Crane

- ◆ Sketch for Info Checking



1) Necessary Info needed from client for offer

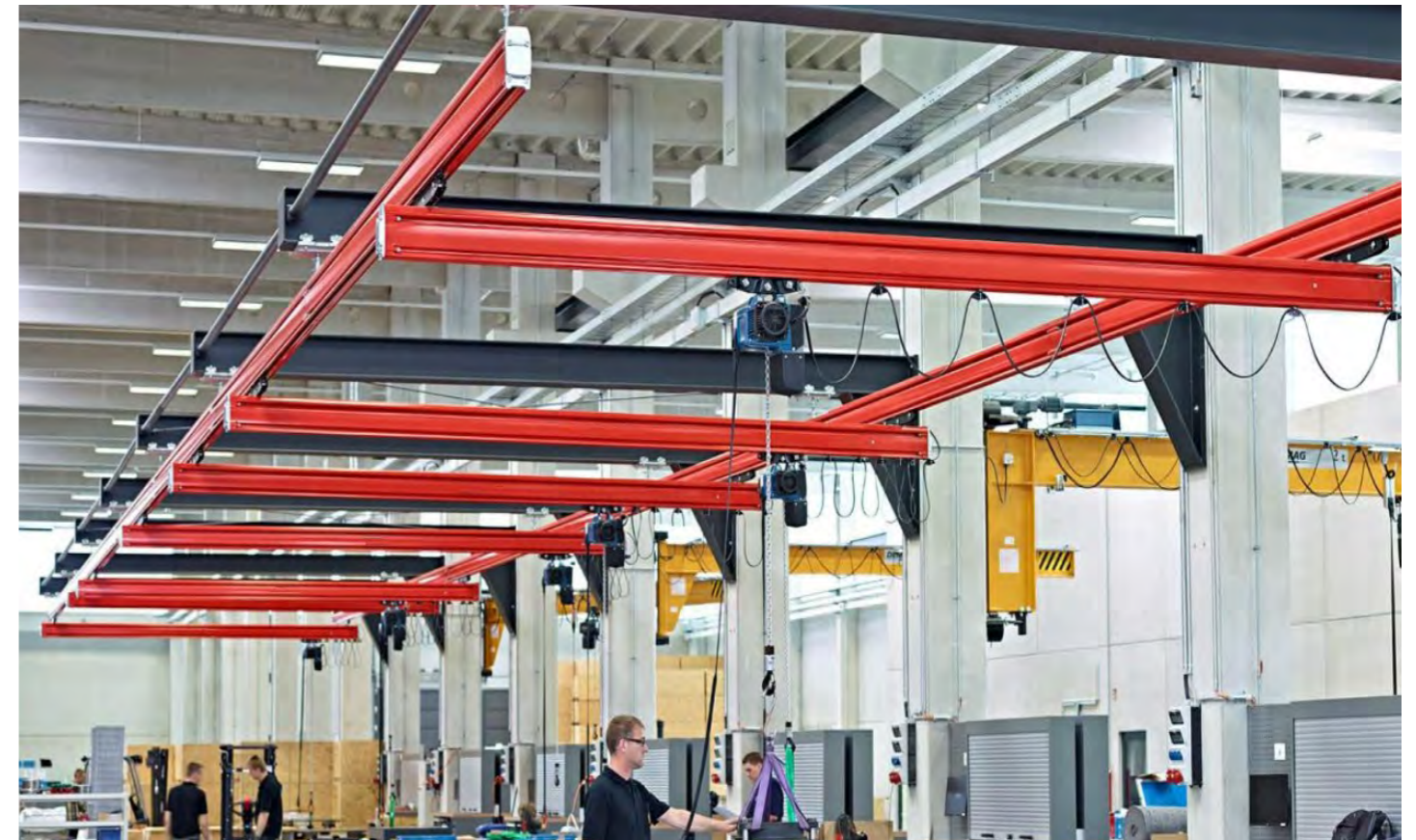
- SWL / Load Capacity
- Span (S)
- Max. Lifting Height (H)
- Travel Rail Length (L)
- Quantity of crane
- Power Voltage

2) More info needed from client if available

- Workshop Building Drawing or Size
- Pendant control or Remote control

KBK Single Girder Suspension Crane

Capacity: 50~2000 kg



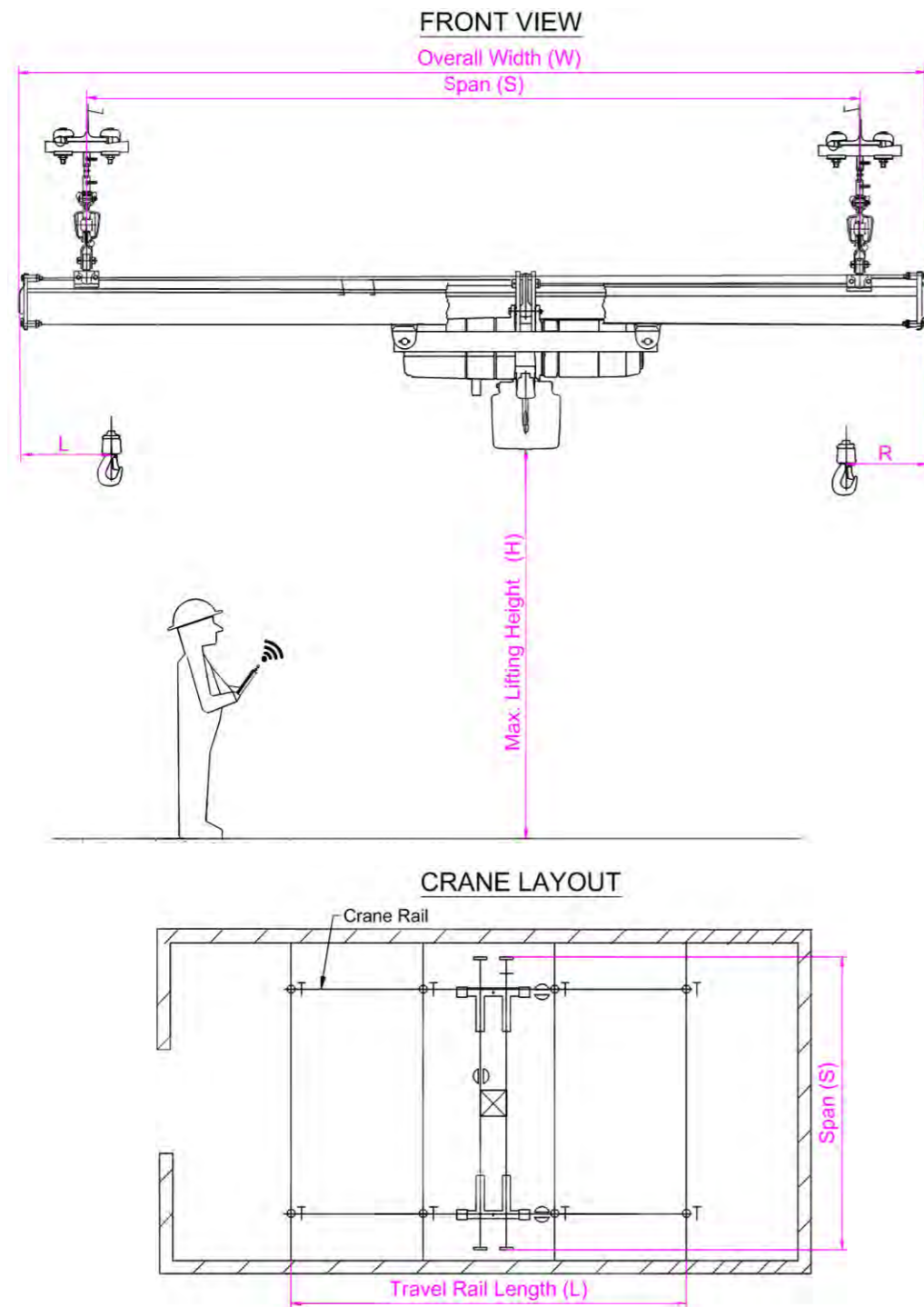
SWL / Load Capacity (kg)	Span (m)	Max Lifting height (m)	Class
50	3~10.5	3~9	A3~A5
100	3~10.5	3~9	A3~A5
150	3~10.5	3~9	A3~A5
200	3~10.5	3~9	A3~A5
300	3~10.5	3~9	A3~A5
500	3~10.5	3~9	A3~A5
500~2000	3~10.5	3~9	A3~A5
Customized	Customized	Customized	N/A

Option :

- Pendant control or Remote control
- Electric chain hoist or Manual chain block

KBK Double Girder Suspension Crane

- ◆ Sketch for Info Checking



1) Necessary Info needed from client for offer

- SWL / Load Capacity
- Span (S)
- Max. Lifting Height (H)
- Travel Rail Length (L)
- Quantity of crane
- Power Voltage

2) More info needed from client if available

- Workshop Building Drawing or Size
- Pendant control or Remote control

KBK Double Girder Suspension Crane

Capacity: 80~3200 kg



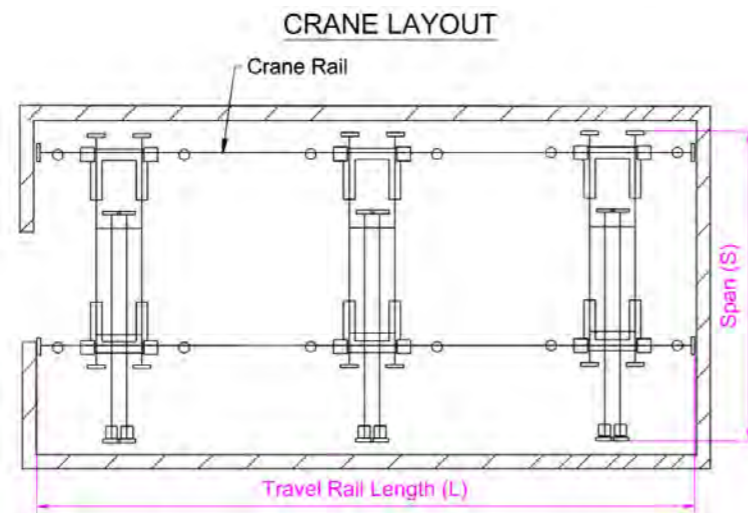
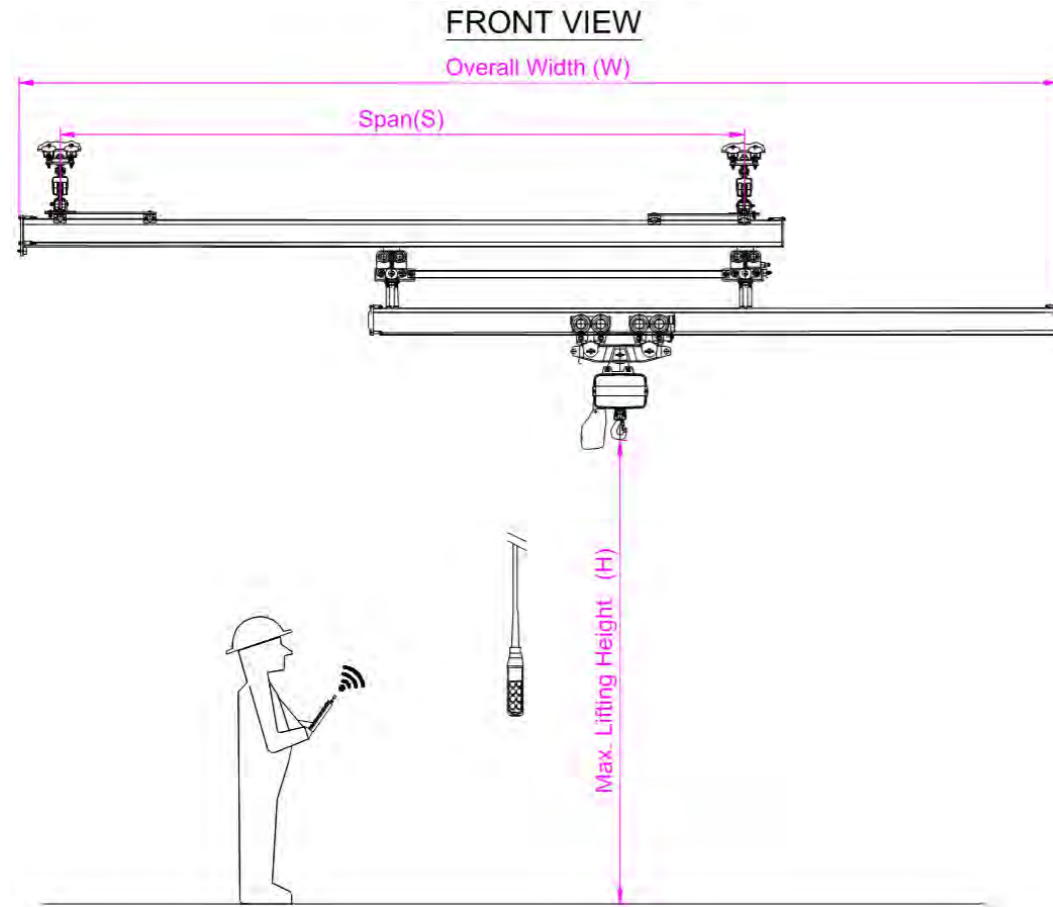
SWL / Load Capacity (kg)	Span (m)	Max Lifting height (m)	Class
80	3~10.5	3~9	A3~A5
100	3~10.5	3~9	A3~A5
150	3~10.5	3~9	A3~A5
200	3~10.5	3~9	A3~A5
300	3~10.5	3~9	A3~A5
500	3~10.5	3~9	A3~A5
500 ~3200	3~10.5	3~9	A3~A5
Customized	Customized	Customized	N/A

Option :

- Pendant control or Remote control
- Electric chain hoist or Manual chain block

KBK Overhung and Extending Crane

- ◆ Sketch for Info Checking



1) Necessary Info needed from client for offer

- SWL / Load Capacity
- Span (S)
- Max. Lifting Height (H)
- Travel Rail Length (L)
- Quantity of crane
- Power Voltage

2) More info needed from client if available

- Workshop Building Drawing or Size
- Pendant control or Remote control

KBK Overhung and Extending Crane

Capacity: 50~2000 kg



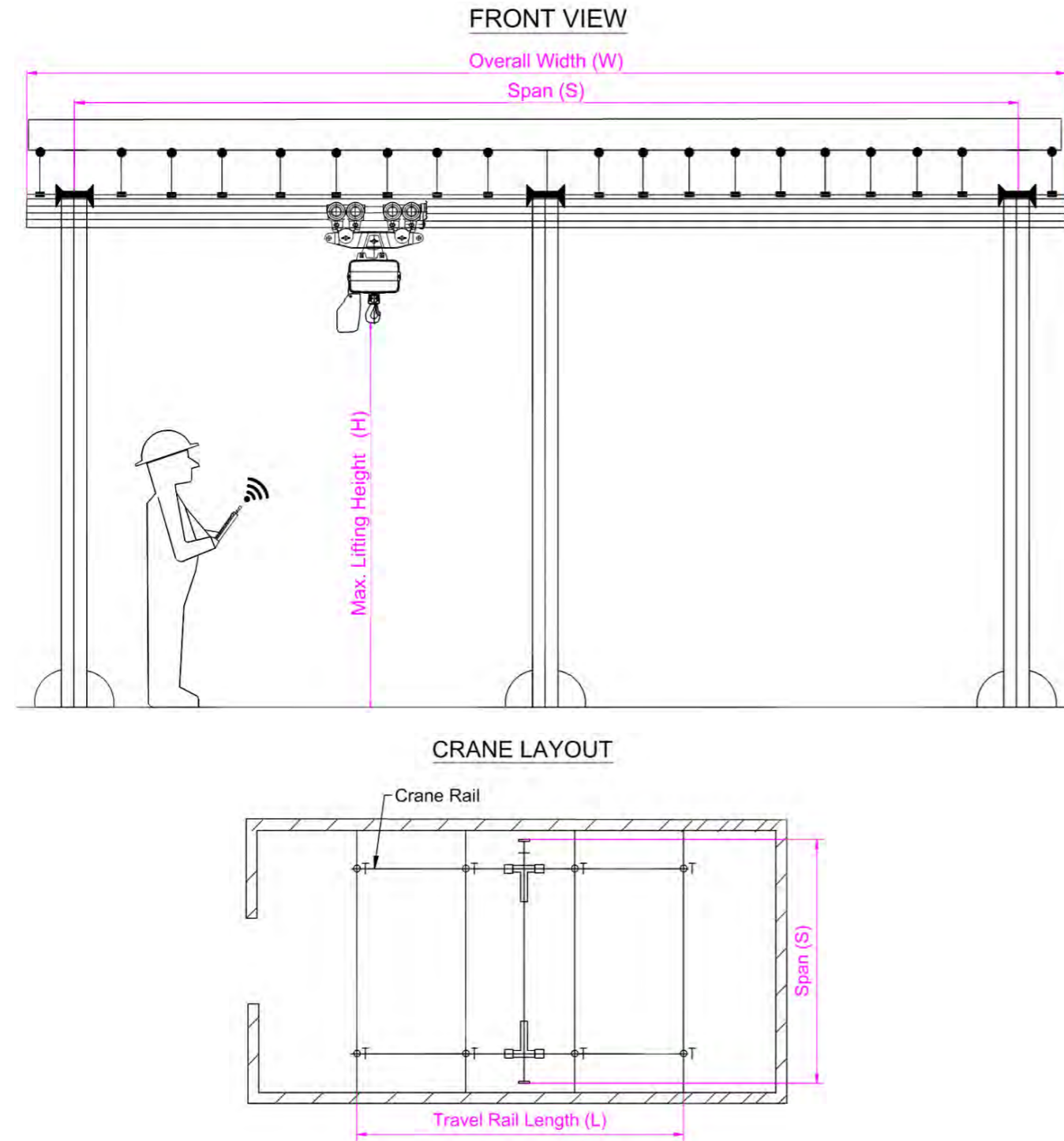
Capacity (ton)	Span (m)	Max Lifting height (m)	Class
50	3~10.5	3~9	A3~A5
100	3~10.5	3~9	A3~A5
150	3~10.5	3~9	A3~A5
200	3~10.5	3~9	A3~A5
300	3~10.5	3~9	A3~A5
500	3~10.5	3~9	A3~A5
500 ~2000	3~10.5	3~9	A3~A5
Customized	Customized	Customized	N/A

Option :

- Pendant control or Remote control
- Electric chain hoist or Manual chain block

KBK Rigid Free Standing Crane

- ◆ Sketch for Info Checking



1) Necessary Info needed from client for offer

- SWL / Load Capacity
- Span (S)
- Max. Lifting Height (H)
- Travel Rail Length (L)
- Quantity of crane
- Power Voltage

2) More info needed from client if available

- Workshop Building Drawing or Size
- Pendant control or Remote control

KBK Rigid Free Standing Crane

Capacity: 80~3200 kg



Capacity (ton)	Span (m)	Max Lifting height (m)	Class
80	3~10.5	3~9	A3~A5
100	3~10.5	3~9	A3~A5
150	3~10.5	3~9	A3~A5
200	3~10.5	3~9	A3~A5
300	3~10.5	3~9	A3~A5
500	3~10.5	3~9	A3~A5
500 ~3200	3~10.5	3~9	A3~A5
Customized	Customized	Customized	N/A

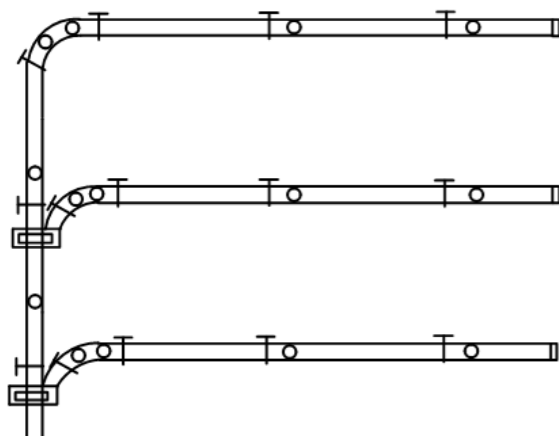
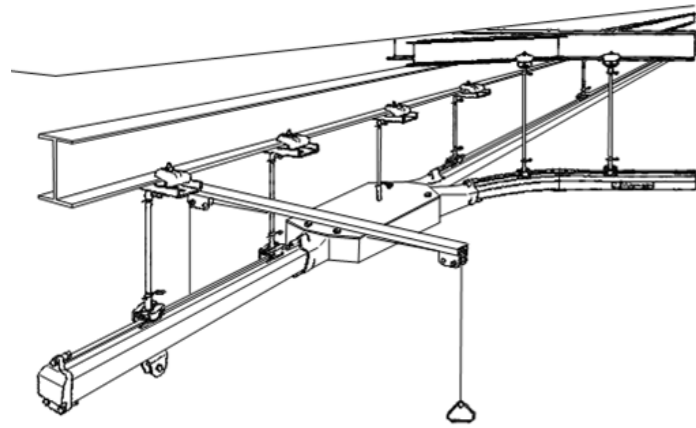
Option :

- Pendant control or Remote control
- Electric chain hoist or Manual chain block

KBK Monorail Suspension Crane

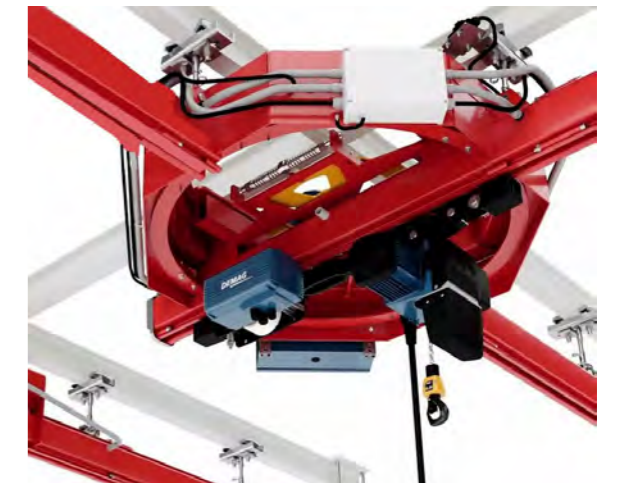
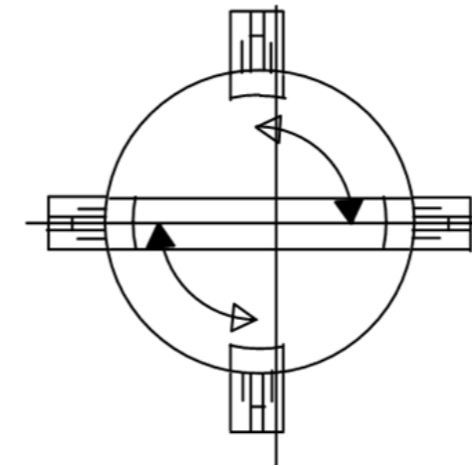
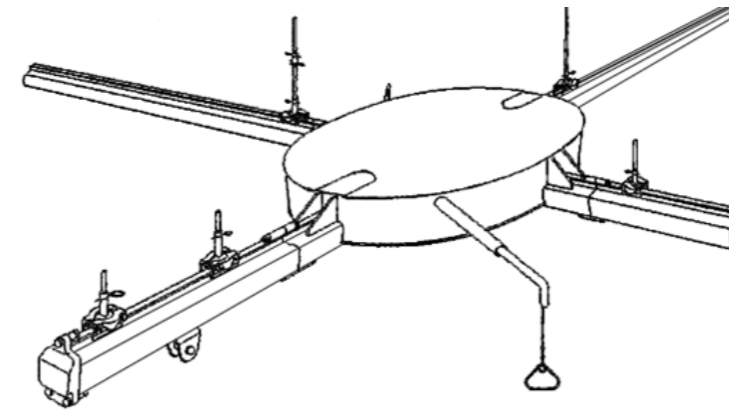
Model: Track Switch

Capacity: 80~3200 kg



Model: Turntable

Capacity: 80~3200 kg



Capacity (ton)	Max. trolley lengths (m)	Max Lifting height (m)	Class
80	2~15	3~9	A3~A5
100	2~15	3~9	A3~A5
150	2~15	3~9	A3~A5
200	2~15	3~9	A3~A5
300	2~15	3~9	A3~A5
500	2~15	3~9	A3~A5
500 ~3200	2~15	3~9	A3~A5
Customized	Customized	Customized	N/A

- The turntable comprises a short track section which rotates 90°.
- Integrated mechanical safety stops prevent trolleys from entering and leaving the turntable unintentionally during turning operations.
- Any unused branches and dead ends must be closed by fitting end cap with buffer.
- Operation is effected either manually by adjustable pull cords, or electrically.
- In the case of electric operation, the slewing time is approx. 8 seconds, up to 15 seconds for the largest types, 20 % CDF, standard version 400 V, 50 Hz.
- Other voltages and frequencies available on application.

Option :

- Pendant control or Remote control
- Electric chain hoist or Manual chain block

Why our proposal is so attractive?

Technology Advantages

- Advanced technology in crane structure design
- Advanced electric & hydraulic control system



Reliable Fast Services

- Solve-trouble firstly in company rules
- Professional & fast action in solution



Excellent Performance

- 100% performance tested in factory
- Continuous performance optimized plan



Guaranteed Quality

- Qualified components for every part
- 2 years warranty services



How to find out the best solution for lifting job?

Just Call 0086 373 5853707



info@magicartcranes.com

Tel: +86 373 5853707 , +86 373 5853727

XINXIANG MAGICART CRANES CO., LTD

www.magicartcranes.com